

## MULTI-POSITION, VARIABLE-SPEED AIR HANDLER



- *Comfortnet™ Compatible*
- *ECM-based*
- *Internal EEV, Inverter-tuned*
- *2 to 5 Tons*

### ■ Contents

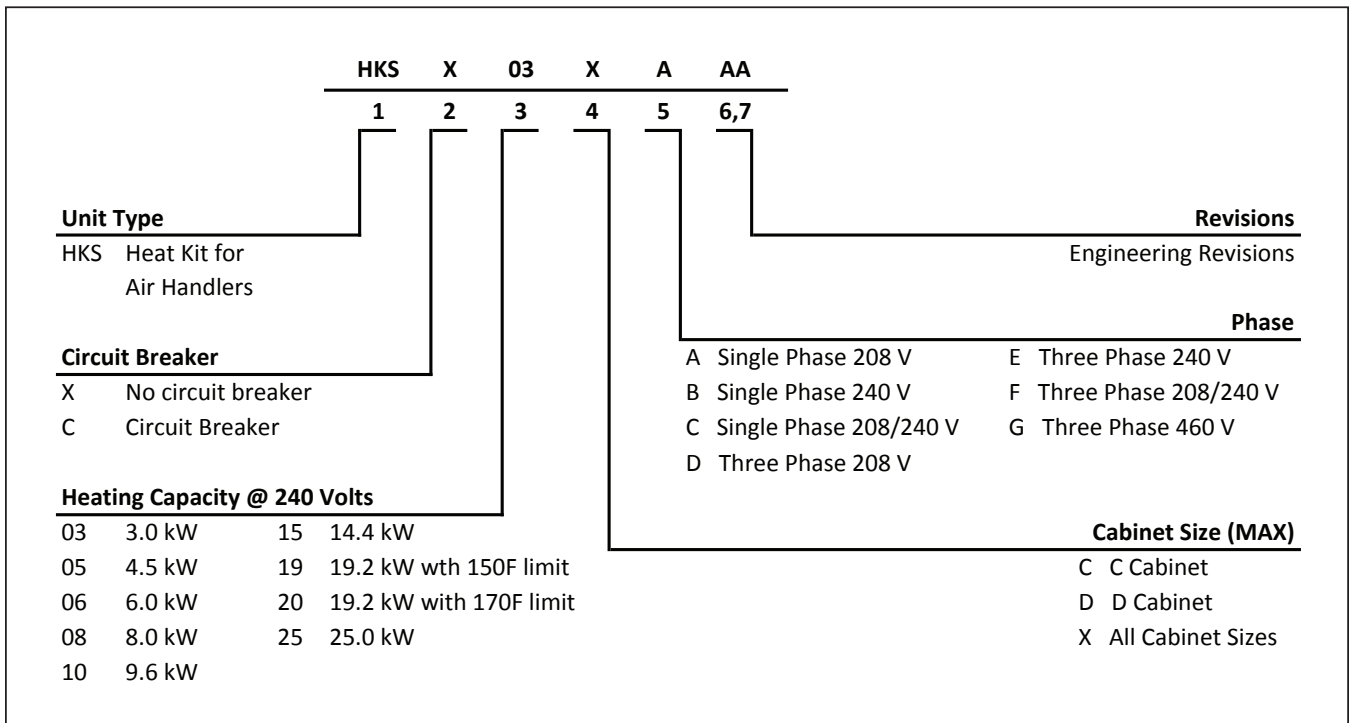
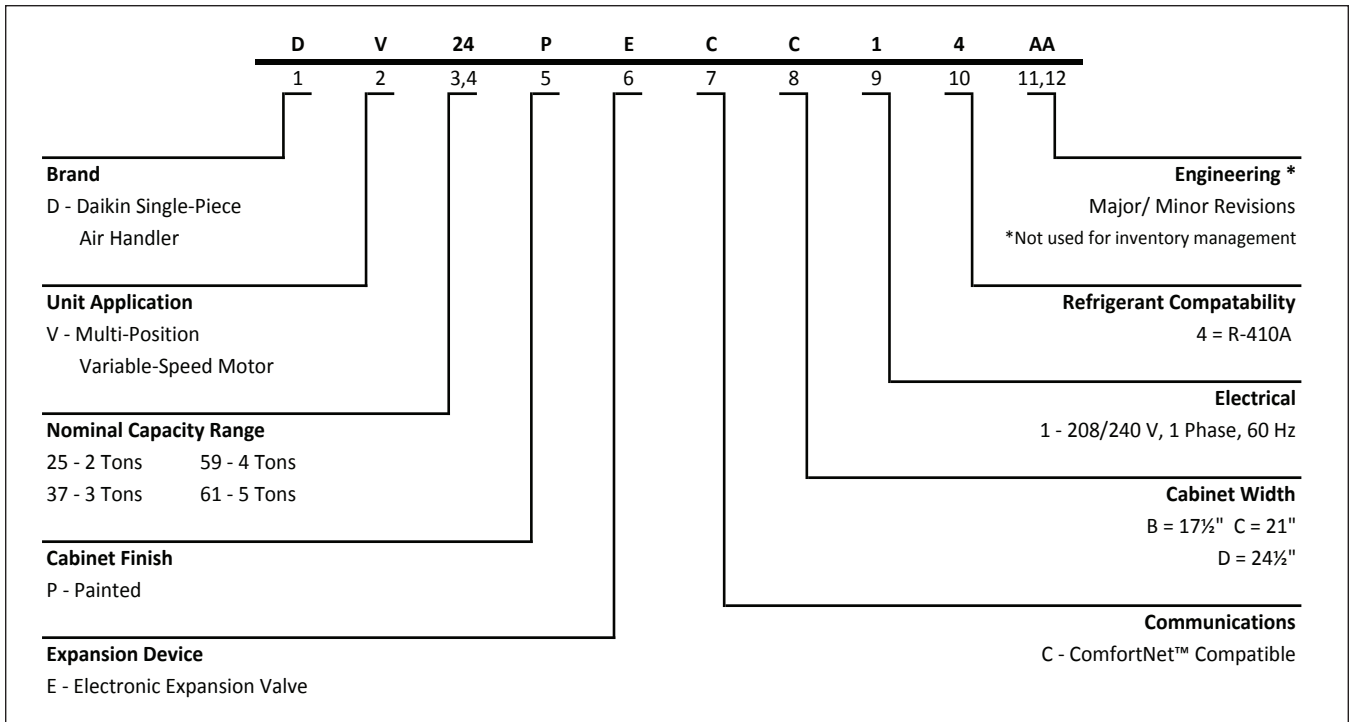
Nomenclature .....	2
Product Specifications .....	3
Dimensions .....	4
Airflow Data .....	5
Heat Kit Data .....	6
Wiring Diagram .....	7

### ■ Product Features

- Electronic Expansion Valve (EEV) for cooling and heat pump applications.
- Variable-speed ECM blower motor
- ComfortNet™ Communicating System compatible
- Provides constant CFM over a wide range of static pressure conditions independent of duct system
- CFM indicator
- Thermostat provides adjustable low CFM for efficient fan-only operation
- All-aluminum evaporator coil
- Fault recall of six most recent faults
- Improved humidity and comfort control
- AHRI certified; ETL listed
- Cabinet air leakage less than 2.0% at 1.0 inch H<sub>2</sub>O when tested in accordance with ASHRAE standard 193
- Cabinet air leakage less than 1.4% at 0.5 inch H<sub>2</sub>O when tested in accordance with ASHRAE standard 193
- 3 kW – 25 kW electric heater kits
- Horizontal or vertical configuration capabilities
- 21" depth for easier attic access
- DecaBDE-free thermoplastic drain pan with secondary drain connections
- Screw-less sides and back helps to reduce condensation when installed in humid locations
- Foil-faced insulation covers the internal casing to reduce cabinet condensation
- Galvanized, leather grain-embossed finish
- Glue-less cabinet insulation retention
- Tool-less filter access

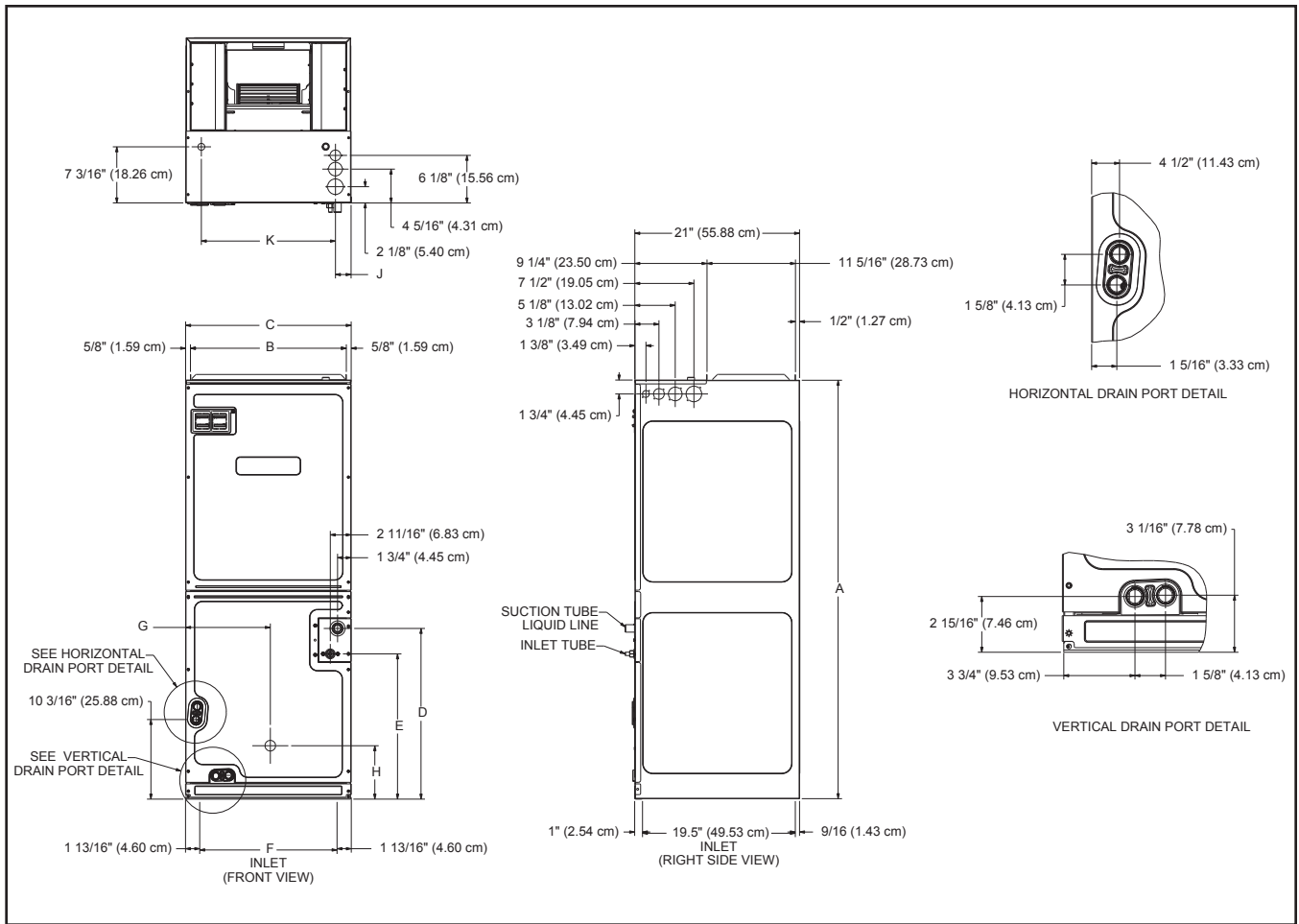


\* Complete warranty details available from your local dealer or at [www.daikincomfort.com](http://www.daikincomfort.com). To receive the 12-Year Parts Limited Warranty, online registration must be completed within 60 days of installation. Additional requirements for annual maintenance are required for the Unit Replacement Limited Warranty. Online registration and some of the additional requirements are not required in California or Quebec.



	DV25PEC B14A*	DV37PEC C14A*	DV59PEC D14A*	DV61PEC D14A*
<b>NOMINAL RATINGS</b>				
Cooling (BTU/h)	24,000	36,000	48,000	60,000
<b>BLOWER</b>				
Diameter	10 $\frac{5}{8}$ "	10 $\frac{5}{8}$ "	11 $\frac{5}{8}$ "	11 $\frac{5}{8}$ "
Width	6"	10 $\frac{5}{8}$ "	10 $\frac{5}{8}$ "	10 $\frac{5}{8}$ "
<b>COIL CONNECTIONS</b>				
Liquid	$\frac{3}{8}$ "	$\frac{3}{8}$ "	$\frac{3}{8}$ "	$\frac{3}{8}$ "
Suction	$\frac{3}{4}$ "	$\frac{7}{8}$ "	$\frac{7}{8}$ "	$\frac{7}{8}$ "
Coil Drain Connection (FPT)	$\frac{3}{4}$ "	$\frac{3}{4}$ "	$\frac{3}{4}$ "	$\frac{3}{4}$ "
<b>ELECTRICAL DATA</b>				
Voltage	208/240	208/240	208/240	208/240
Min Circuit Ampacity	4.9/4.9	6.5/6.5	8.6/8.6	8.6/8.6
Max. Overcurrent Device (Amps)	15/15	15/15	15/15	15/15
Minimum VAC	197	197	197	197
Maximum VAC	253	253	253	253
<b>BLOWER MOTOR</b>				
Full Load Amps (FLA)	3.9	5.2	6.9	6.9
Horsepower (HP)	$\frac{1}{2}$	$\frac{3}{4}$	1	1
<b>SHIP WEIGHT (LBS.)</b>	115	140	150	167

**NOTE:** Minimum Circuit Ampacity (MCA) and Maximum Overcurrent Protection (MOP) for blower without supplemental heat installed. Refer to unit nameplate and/or Heat Kit Data for specification with approved accessory heaters installed.



MODEL	A	B	C	D	E	F	G	H
DV25PECB14A*	53 <sup>7</sup> / <sub>16</sub>	16 <sup>3</sup> / <sub>8</sub>	17 <sup>1</sup> / <sub>2</sub>	23 <sup>11</sup> / <sub>16</sub>	20 <sup>1</sup> / <sub>2</sub>	14 <sup>5</sup> / <sub>8</sub>	9 <sup>5</sup> / <sub>8</sub>	7 <sup>5</sup> / <sub>8</sub>
DV37PECC14A*	53 <sup>7</sup> / <sub>16</sub>	19 <sup>3</sup> / <sub>8</sub>	21	23 <sup>11</sup> / <sub>16</sub>	18 <sup>3</sup> / <sub>8</sub>	17 <sup>11</sup> / <sub>16</sub>	10 <sup>13</sup> / <sub>16</sub>	6 <sup>13</sup> / <sub>16</sub>
DV59PECD14A*	58	23 <sup>3</sup> / <sub>8</sub>	24 <sup>1</sup> / <sub>2</sub>	28 <sup>3</sup> / <sub>4</sub>	25 <sup>1</sup> / <sub>4</sub>	21 <sup>1</sup> / <sub>4</sub>	12 <sup>3</sup> / <sub>8</sub>	12 <sup>3</sup> / <sub>8</sub>
DV61PECD14A*	58	23 <sup>3</sup> / <sub>8</sub>	24 <sup>1</sup> / <sub>2</sub>	28 <sup>3</sup> / <sub>4</sub>	25 <sup>1</sup> / <sub>4</sub>	21 <sup>1</sup> / <sub>4</sub>	12 <sup>3</sup> / <sub>8</sub>	12 <sup>3</sup> / <sub>8</sub>

MODEL	RATED AIR FLOW CFM								
	0.1	0.2	0.3	0.4	0.5	0.6	0.7	0.8	0.9
DV25PECB14A*	700	690	690	685	680	670	665	660	655
DV37PECC14A*	1190	1170	1165	1160	1145	1130	1120	1105	1100
DV59PECD14A*	1445	1440	1430	1415	1405	1390	1380	1375	1370
DV61PECD14A*	1645	1640	1640	1635	1630	1625	1620	1620	1615

MODEL	MAXIMUM AIR FLOW CFM								
	0.1	0.2	0.3	0.4	0.5	0.6	0.7	0.8	0.9
DV25PECB14A*	770	760	760	755	750	735	730	725	720
DV37PECC14A*	1310	1285	1280	1275	1260	1245	1230	1215	1210
DV59PECD14A*	1590	1585	1575	1560	1545	1530	1520	1515	1505
DV61PECD14A*	1810	1805	1805	1800	1790	1785	1780	1780	1775

**Note:**

- The chart is for information only. For satisfactory operation, external static pressure must not exceed value shown on rating plate.
- Use the CFM adjustment factors of .98 for horizontal left, .95 for horizontal right & .96 for downflow orientations.
- Airflow data indicated is at 230V without air filter in place.

HEAT KIT DATA

MODELS	CIRCUIT 1			CIRCUIT 2			SINGLE-POINT KIT	
	AMPS	MCA <sup>1</sup>	MOP <sup>2</sup>	AMPS	MCA <sup>1</sup>	MOP <sup>2</sup>	MCA <sup>1</sup>	MOP <sup>2</sup>
<b>DV25PECB14AA</b>	0.0/0.0	4.9/4.9	15/15	---	---	---	---	---
HKS*03XC*	10.8/12.5	18/21	20/25	---	---	---	---	---
HKS*05XC*	17.3/20.0	27/30	30/30	---	---	---	---	---
HKS*06XC*	21.7/25.0	32/36	35/40	---	---	---	---	---
HKS*08XC*	28.9/33.3	41/47	45/50	---	---	---	---	---
HKS*10XC*	34.7/40.0	48/55	50/60	---	---	---	---	---
<b>DV37PECC14AA</b>	0.0/0.0	6.5/6.5	15/15	---	---	---	---	---
HKS*05XC*	17.3/20.0	28/32	30/35	---	---	---	---	---
HKS*06XC*	21.7/25.0	34/38	35/40	---	---	---	---	---
HKS*08XC*	28.9/33.3	43/48	45/50	---	---	---	---	---
HKS*10XC*	34.7/40.0	50/57	50/60	---	---	---	---	---
HKSC15*##	34.7/40.0	50/57	50/60	17.3/20.0	22/25	25/25	72/82	80/90
HKSC20D##	34.7/40.0	50/57	50/60	34.7/40	43/50	45/50	93/107	100/110
HKSC15XF*	0.0/0.0	6.5/6.5	15/15	30.0/34.6	38/43	40/45	---	---
<b>DV59PECD14AA</b>	0.0/0.0	6.5/6.5	15/15	---	---	---	---	---
HKS*05XC*	17.3/20.0	28/32	30/35	---	---	---	---	---
HKS*06XC*	21.7/25.0	34/38	35/40	---	---	---	---	---
HKS*08XC*	28.9/33.3	43/48	45/50	---	---	---	---	---
HKS*10XC*	34.7/40.0	50/57	50/60	---	---	---	---	---
HKSC15*##	34.7/40.0	50/57	50/60	17.3/20.0	22/25	25/25	72/82	80/90
HKSC20D##	34.7/40.0	50/57	50/60	34.7/40	43/50	45/50	93/107	100/110
HKSC15XF*	0.0/0.0	6.5/6.5	15/15	30.0/34.6	38/43	40/45	---	---
HKSC20XF*	0.0/0.0	6.5/6.5	15/15	37.5/43.3	47/54	50/60	---	---
<b>DV61PECD14AA</b>	0.0/0.0	8.6/8.6	15/15	---	---	---	---	---
HKS*05XC*	17.3/20.0	30/34	35/35	---	---	---	---	---
HKS*06XC*	21.7/25.0	36/40	40/40	---	---	---	---	---
HKS*08XC*	28.9/33.3	45/50	45/60	---	---	---	---	---
HKS*10XC*	34.7/40.0	52/59	60/60	---	---	---	---	---
HKSC15*##	34.7/40.0	52/59	60/60	17.3/20	22/25	25/25	74/84	80/90
HKSC20D##	34.7/40.0	52/59	60/60	34.7/40.0	43/50	45/50	95/109	100/110
HKSC15XF*	0.0/0.0	8.6/8.6	15/15	30.0/34.6	38/43	40/45	---	---
HKSC20XF*	0.0/0.0	8.6/8.6	15/15	37.5/43.3	47/54	50/60	---	---
HKSC25DC*	52.0/60.0	74/84	80/90	35/40	43/50	45/50	117/134	125/150

<sup>1</sup> Minimum Circuit Ampacity (Heater Amps + Motor Amps) X 1.25

<sup>2</sup> Maximum Overcurrent Protection = 2.25 X Motor Amps + Heater Amps

<sup>^</sup> Circuit 1: Single-phase for Air Handlers    Circuit 2: Three-phase for HKR3 Heater Kits

\* Revision level that may or may not be designated

C = Circuit Breaker Option

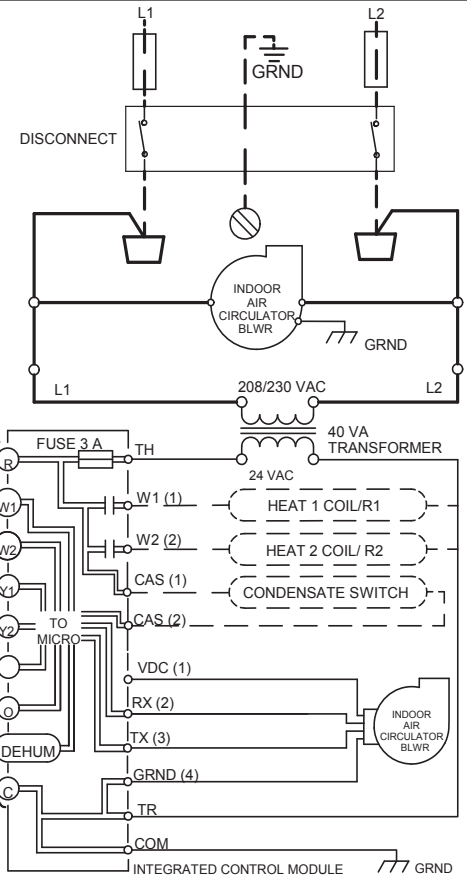
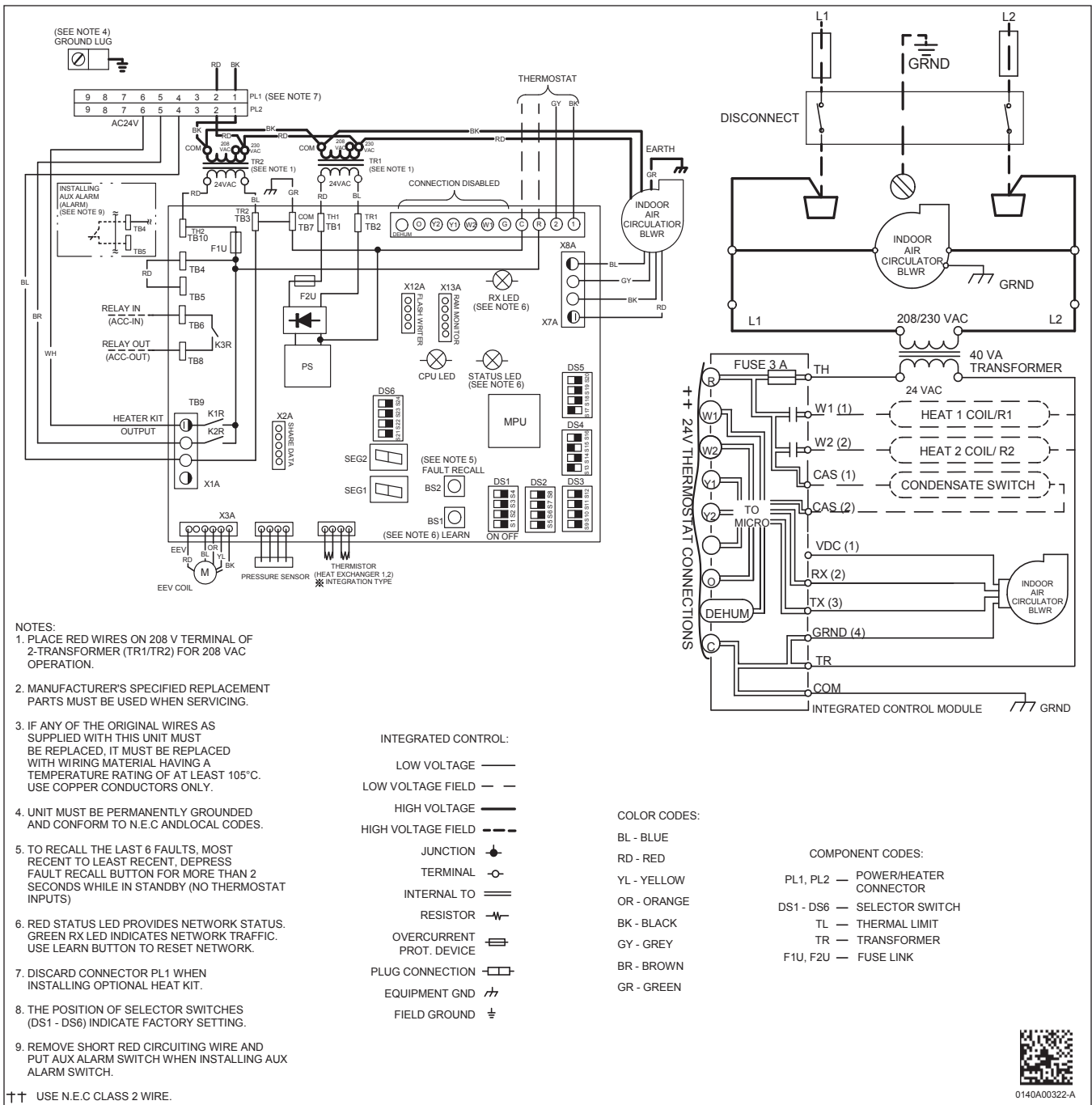
--- indicates Not Required

HKA meets the new UL1995 requirements for 15 and 20KW heaters

HEATING KW CORRECTION FACTOR

SUPPLY VOLTAGE	240	230	220	210	208
CORRECTION FACTOR	1.00	0.92	0.84	0.77	0.75

Multiply the 240-volt heating capacity by correction factors.



Wiring is subject to change. Always refer to the wiring diagram on the unit for the most up-to-date wiring.

	<b>WARNING</b>	<p><b>High Voltage:</b> Disconnect all power before servicing or installing this unit. Multiple power sources may be present. Failure to do so may cause property damage, personal injury, or death.</p>	
--	----------------	--	--



*NOTES*